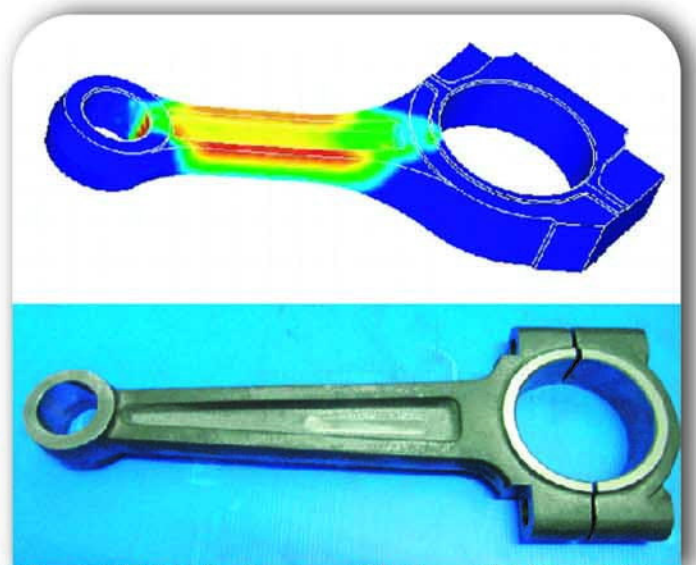


trindo   
engineering

*your partner for design and production*



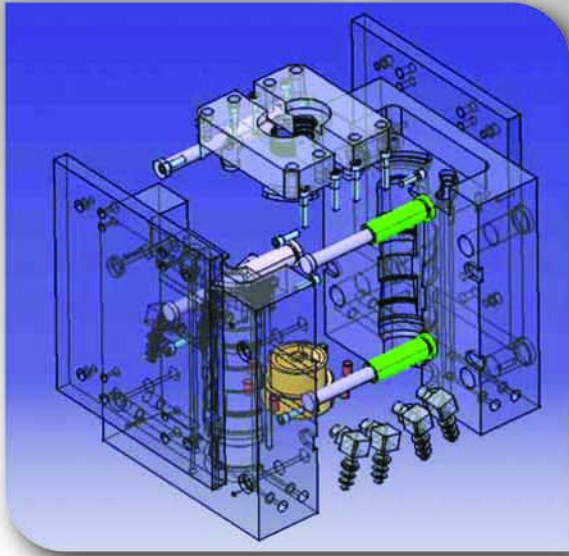
Metal Manufacturing

**PT. Trindo Pratama**

Jl. Gatot Subroto No. 295, Bandung 40274 | Tel : +62-22-70700327 | Tel/Fax : +62-22-7316587

Email : [info@trindo.com](mailto:info@trindo.com)

# Metal Manufacturing



## Facilities:

- Milling CNC
- Milling conventional
- Lathe
- CMM
- EDM
- Wire cut
- Cylindrical Grinding
- Surface Grinding
- Engraving machine
- Drilling machine
- High precision measuring equipments

## Service:

- Design and Engineering
- Mold flow analysis
- Finite Element Analysis
- Blow, injection Mold
- Jig & Fixture
- Press tools
- Precision components



Through our good relationship with different machinery producer in Europe, supporting by direct contact with our team in Europe and our competence in industrial machinery, we can supply you with original spare parts you need in fastest time, so that the availability of your machine will remain high. Furthermore, we can supply you with european high quality cutting and measuring tools from our catalogue.